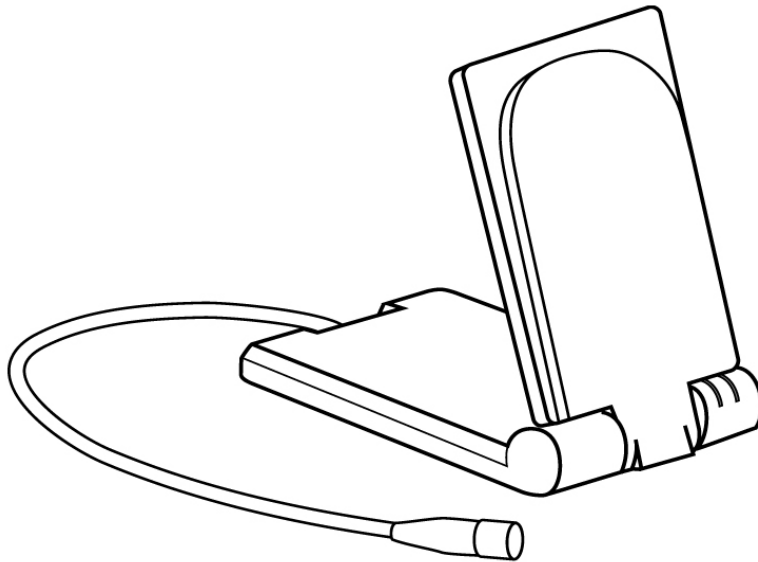


INDOOR DIRECTIONAL ANTENNA



QUICK START GUIDE

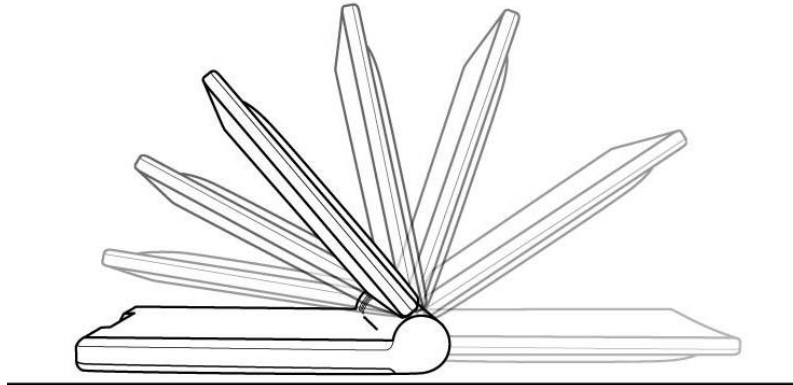


PLEASE READ THIS NOTICE BEFORE USING THE PRODUCT

Thank you for purchasing this product, before starting to use, please do read this application notice and see how this product can be used in the most correct ways.

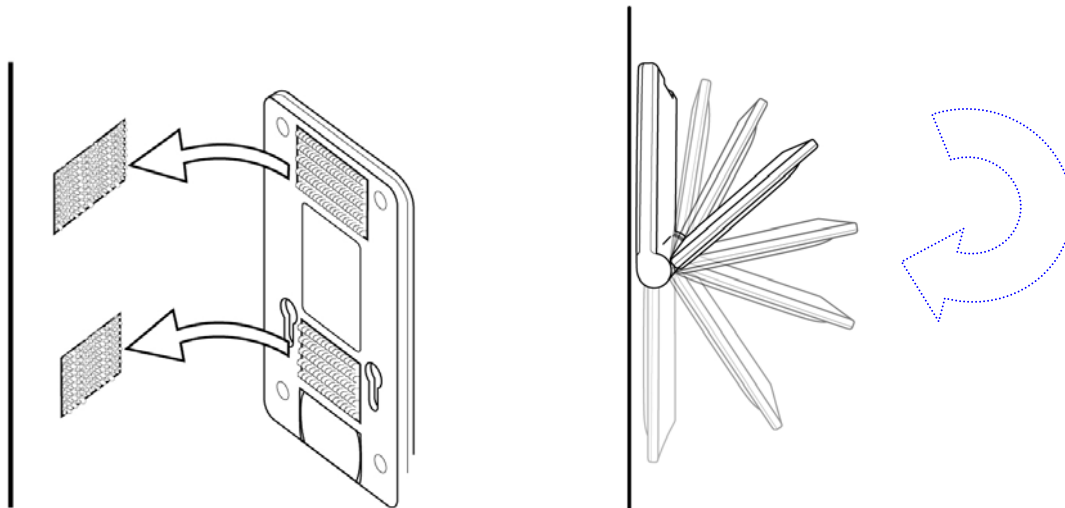
Desktop stand

The antenna is mainly designed for desktop stand, the front-panel transmit directional signals and the antenna angle is adjustable via easy-to-use mechanical designs; the antenna panel can also be like 0 to 180 degree angle adjustment.



Wall mount

For another specific usage of the antenna deployment, the easiest way for you to install the antenna onto the wall is with included Velcro. The wall mount is mainly recommended to be used when your wireless base stations are hidden over the ceiling or some kind of anti-theft cases.

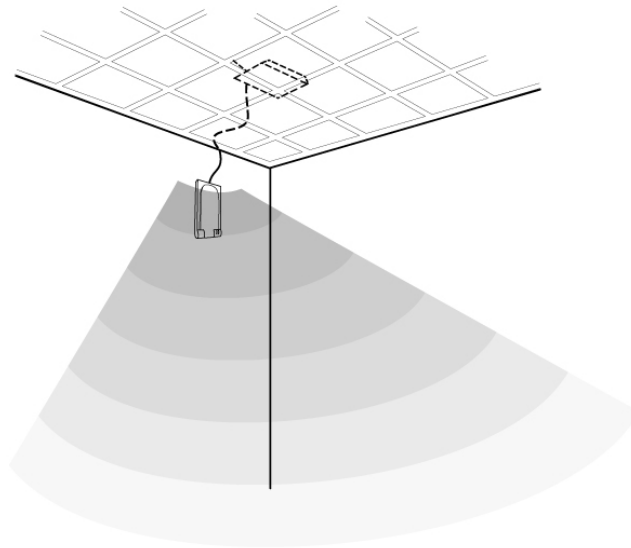


Use the Velcro stickers (2 sets included) on the bottom of the antenna base, to make wall mount easy-to-use.

Recommended devices to connect with this antenna

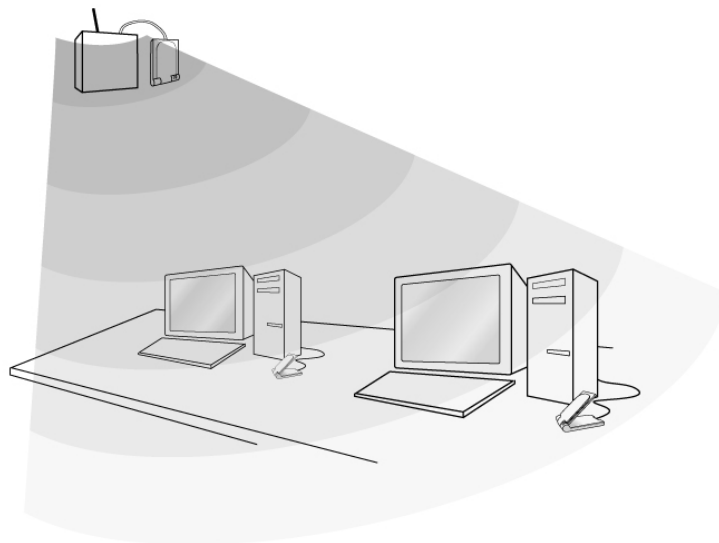
Wireless base stations with antenna detachable feature:

As a matter of broadcasting your wireless signals to your home/office environments to get wider or longer coverage, the antenna generates wide, directional signals to cover your home/office environments.



NOTICE:

The wall mount feature is mainly recommended to be used when your wireless base stations are hidden over the ceiling or some kind of anti-theft cases. So that your base stations are 'invisible' and signals can still be effectively transmitted through the external antenna.



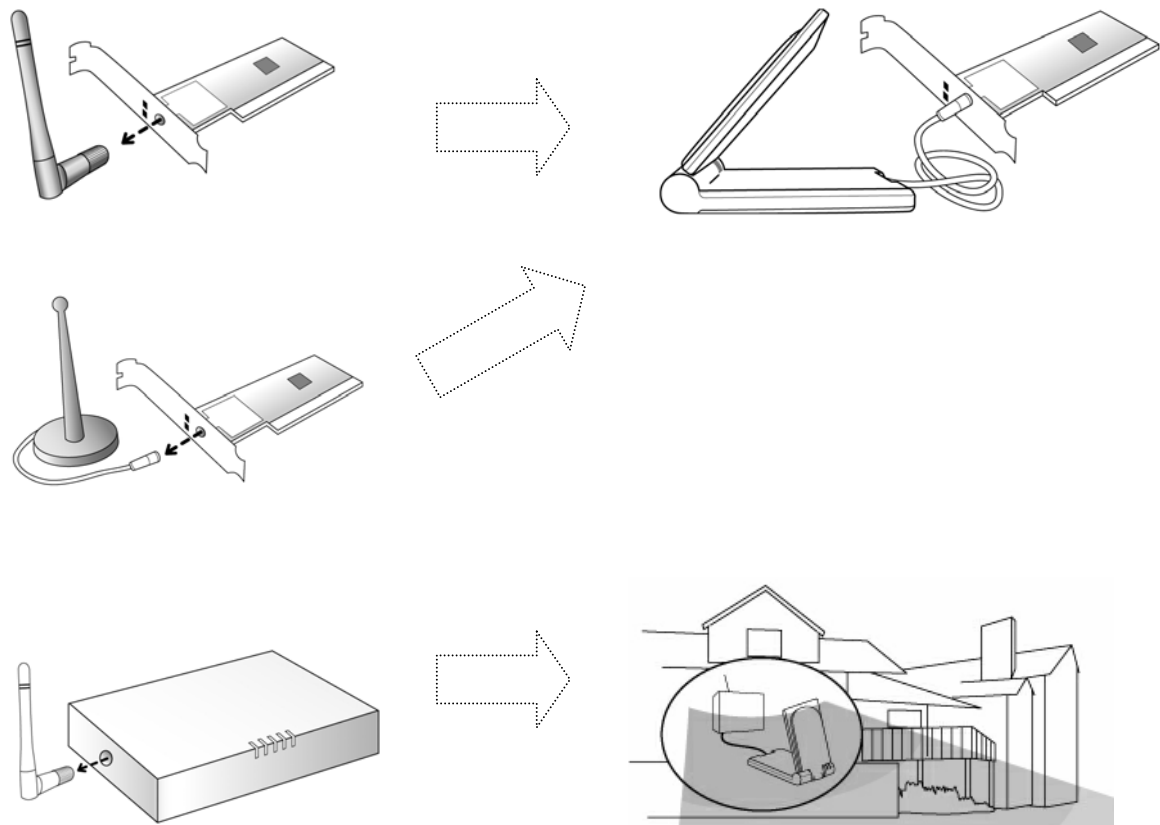


WARNING:

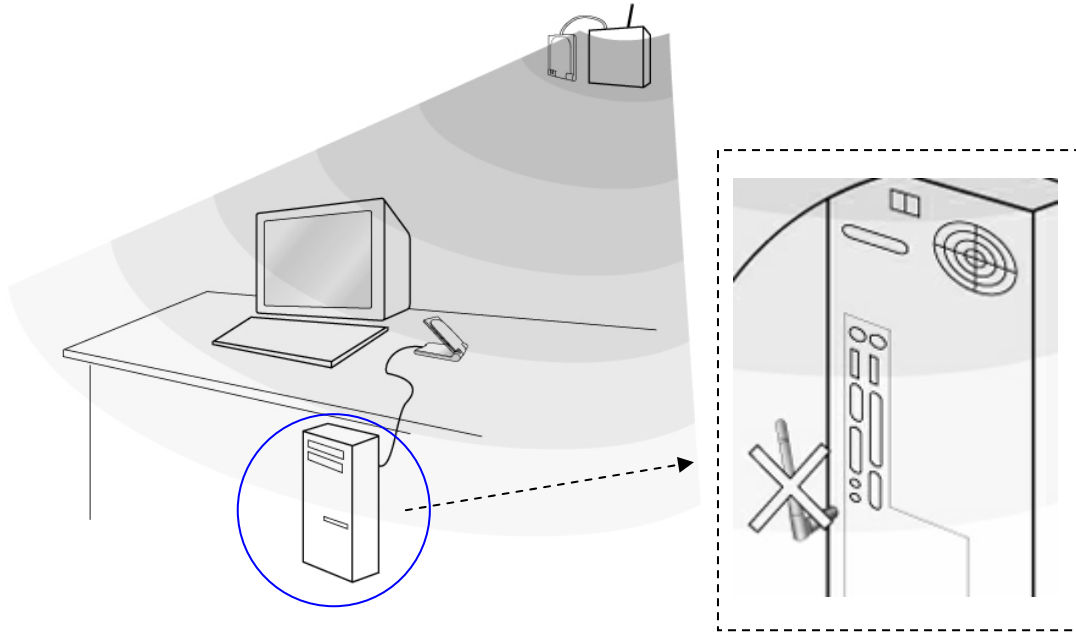
Please make sure that the antenna(s) on your wireless devices can be 'unscrewed' easily from the antenna connectors.

PCI adaptor for desktop PC

Normally the host of your desktop PC will be remained under the desk or next to the walls and partitions; such deployment environment might block wireless signal routes and sometimes cause bad link quality. The directional antenna with 1 meter extension cable which generates directional signals, you can point the antenna to where the wireless base station is in order to pick up the better connections and link quality.



Remove the default antenna from the desktop PCI/ AP/ Router if you need wide directional signal coverage than the omni directional antenna.

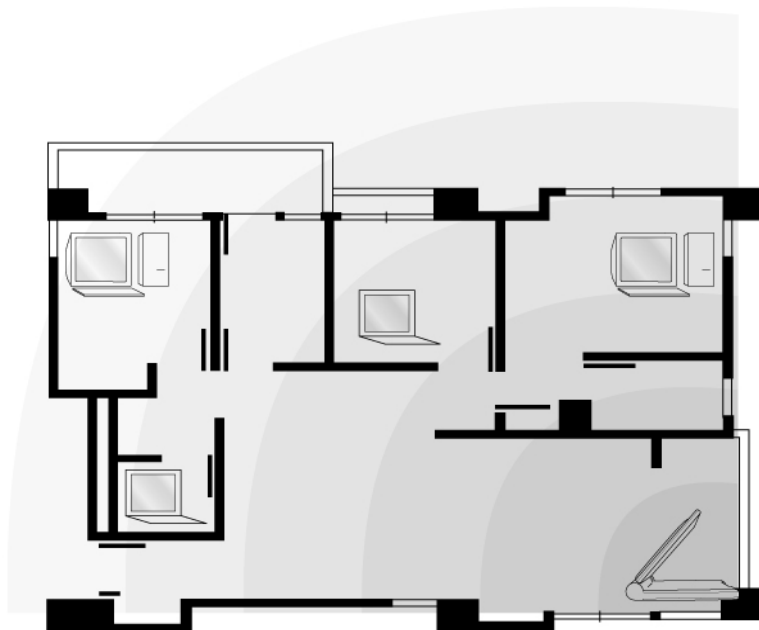


NOTICE:

Most of desktop PC users in home/ office should be aware of the location of wireless base stations, to use the directional antenna; one can easily get connected by just pointing this antenna to where the base station is.

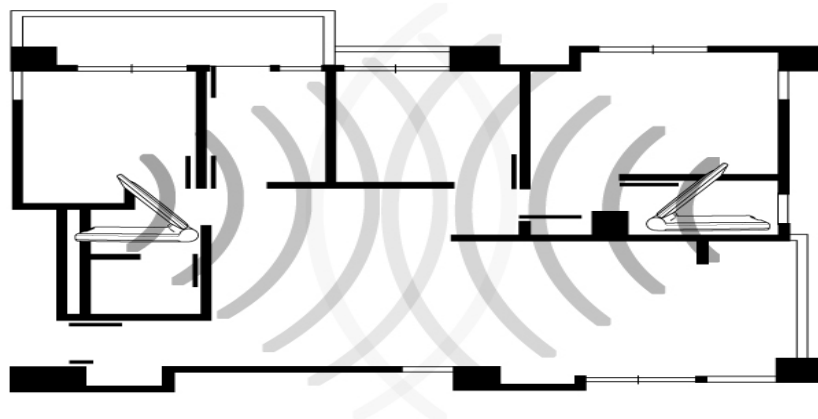
Recommended installation positions

This directional antenna has a directional signal coverage, which you can use it for the following configurations based on this special characteristics





Install the antenna on the edge of the floor environments or in the corners if your base stations are deployed in the corners. This antenna can generate wide signal coverage to service the client users.

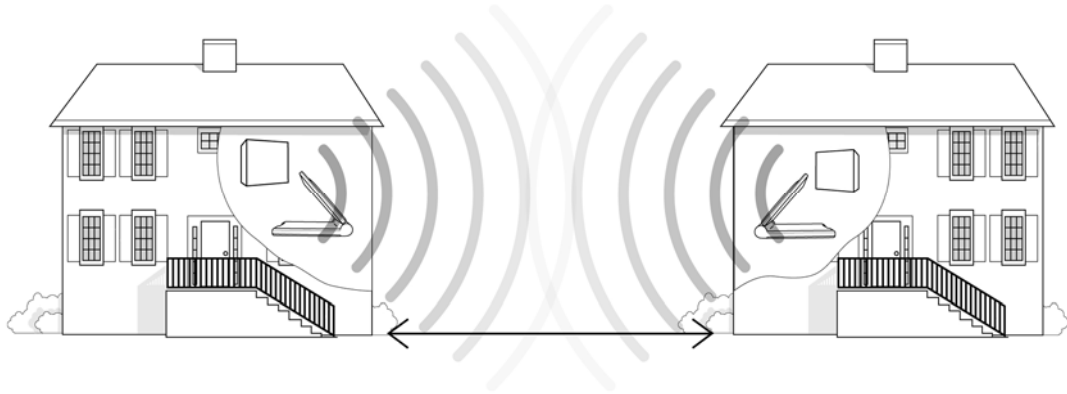


Besides the corner installation, you can also put this antenna at the sides of the floor for long range corridor transmission

Special links --- Indoor Installation for Outdoor Links

1. Easy point-to-point transmission

the directional antenna can be used only for indoors but can be connected as outdoor point-to-point application throughout the windows, the expected range for this kind of connection can be up to 100 Meter as long as you can see and connect each antenna on both sides.



WARNING:

- (1) Both sides should be used the same antennas.**
- (2) There should be no obstacles between the transmission areas**
- (3) On both the sites, the antennas should be 'seen' each other or visible by naked eye.**
- (4) Performance estimate based on typical use, range will be varied with different site conditions.**

2. Create your own private hotspot for your home recreations

The directional antenna can be used for outdoor hotspot coverage, as long as your external antenna can send the signals through windows to your recreational areas like by swimming pools, the B.B.Q sites or where to drink afternoon tea.

